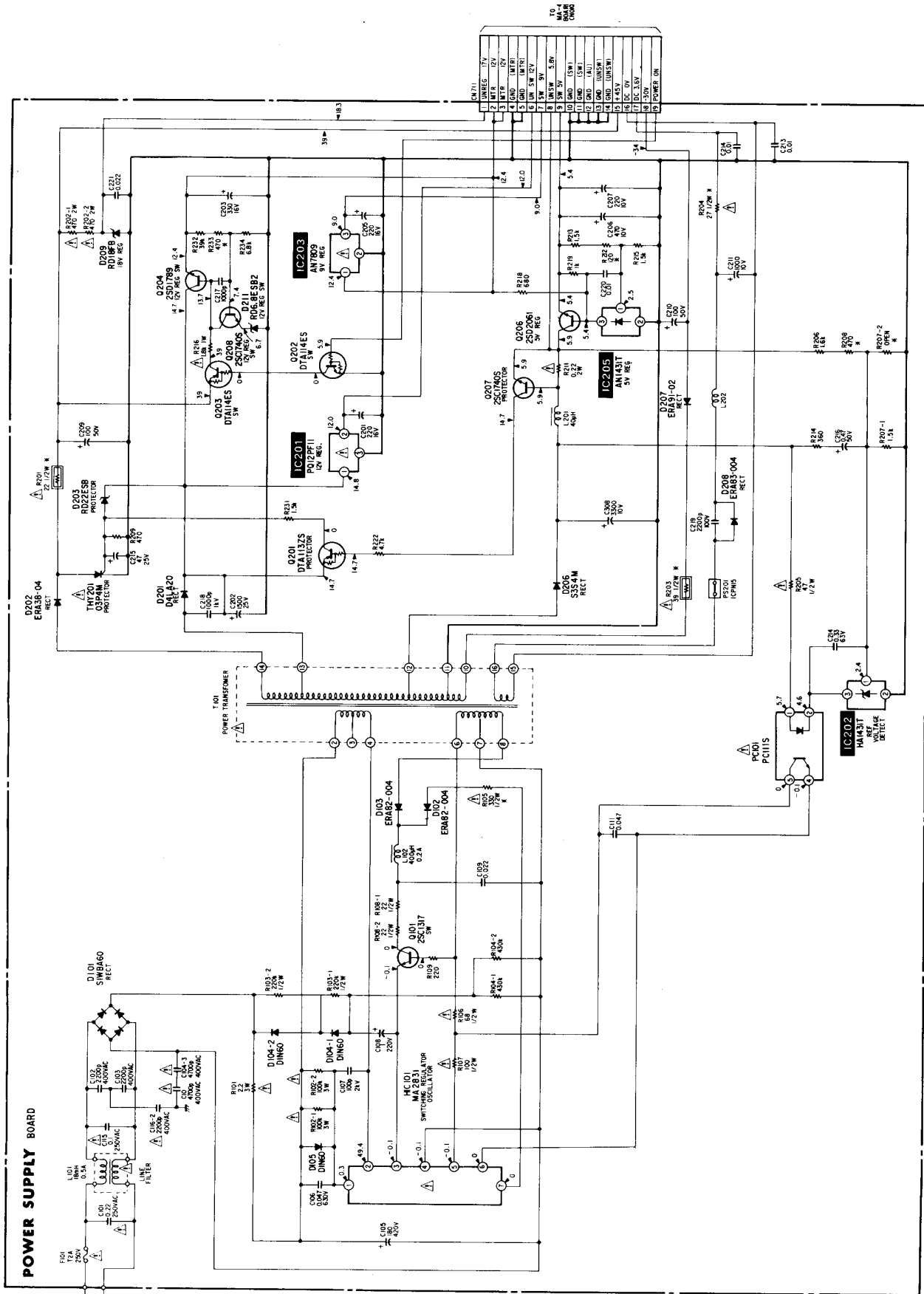


POWER SUPPLY SCHEMATIC DIAGRAM



RP-80 (REC/PB AMP) SCHEMATIC DIAGRAM

RP SHIELD CASE